



 **Husqvarna**[®]



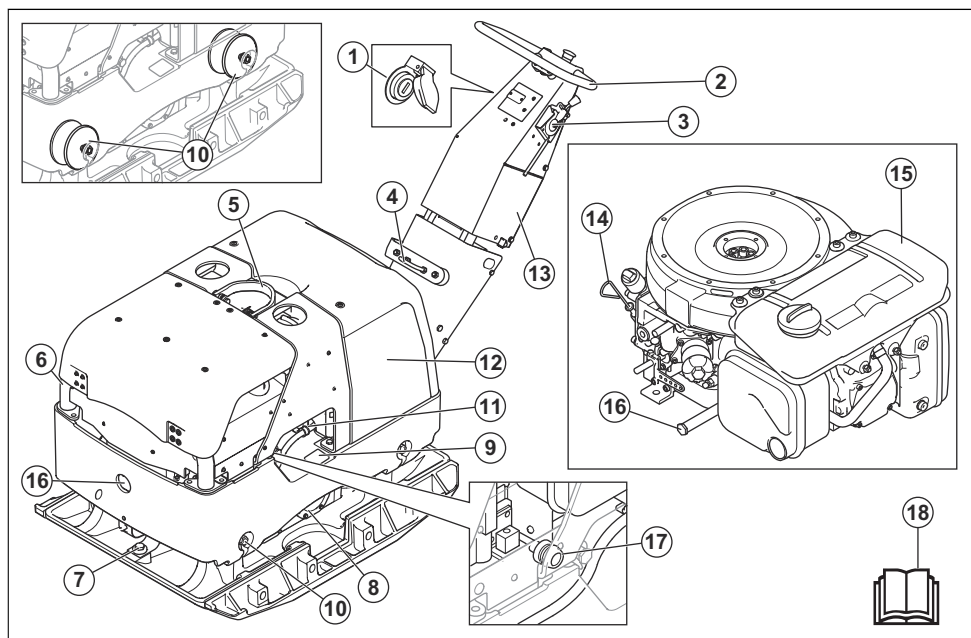
LH 700, LH 804

Contents

Introduction.....	2	Transportation, storage and disposal.....	23
Safety.....	5	Technical data.....	26
Operation.....	10	Registered trademarks.....	30
Maintenance.....	18	EC Declaration of Conformity.....	31

Introduction

Product overview (LH 700)



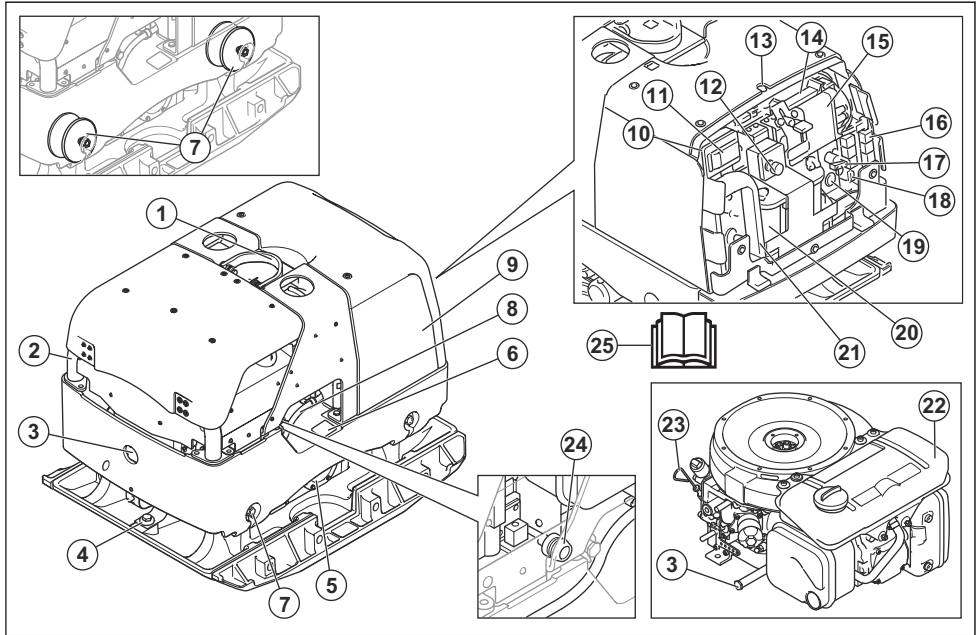
1. Ignition lock
2. Handle
3. Throttle control
4. Handle lock for transportation position
5. Lifting point
6. Safety frame
7. Safety straps
8. Eccentric element
9. Type plate
10. Vibration damping units

To do a check of the vibration damping units on page 9.

11. Water separator
12. Hydraulic oil tank
13. Battery
14. Engine oil dipstick
15. Fuel tank
16. Drain plug for engine oil
17. Air filter indicator
18. Operator's manual

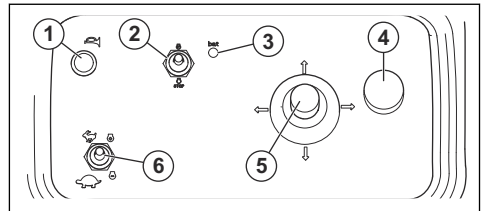
Note: There are also 7 vibration damping units between the handle and the engine plate. Refer to

Product overview (LH 804)



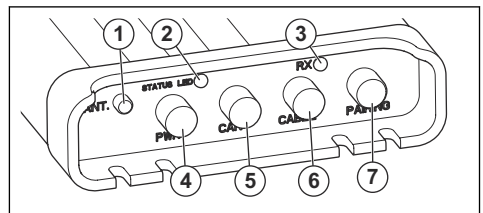
1. Lifting point
2. Safety frame
3. Drain plug for engine oil
4. Safety straps
5. Eccentric element
6. Type plate
7. Vibration damping units
8. Water separator
9. Hydraulic oil tank
10. Battery charger for the remote control
11. Battery for the remote control
12. Emergency stop button
13. Antenna
14. Electronic Control Unit (ECU)
15. Receiver
16. Relays
17. Main switch
18. Fuses
19. Buzzer
20. Product battery
21. Remote control, transport position
22. Fuel tank
23. Engine oil dipstick
24. Air filter indicator
25. Operator's manual

Remote control overview



1. Button to connect the remote control to the receiver
2. Engine ON/OFF switch
3. Indicator for battery charge
4. Remote control ON/OFF and emergency stop button
5. Joystick
6. Operation speed

Receiver overview



1. Antenna
2. Indicator for remote control connection
3. Indicator for radio communication (RX)
4. Connection for power cord
5. CAN
6. Connection for remote control cable
7. Button for pairing operation

Product description

The product is a reversible plate compactor for compaction of granular soils in moderately thick layers to layers of larger depth. The product has a combustion engine.

The model LH 700 is pedestrian-controlled.

The model LH 804 is operated by a remote control at a maximum distance of 20 m from the operator.

Intended use

The product is for professional operation only. Use the product for compaction of different types of fill material, from sand to rocks. Do not use the product for other tasks.

Symbols on the product



WARNING: This product can be dangerous and cause serious injury or death to the operator or others. Be careful and use the product correctly.



Read the manual carefully and make sure that you understand the instructions before you use the product.



Read the manual carefully and make sure that you understand the instructions before you use the product.



Use hearing protection.



Ultra-low-sulfur diesel fuel only.

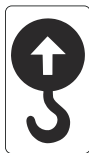


Hydraulic oil level.



Bio-Hydr.

Biological hydraulic oil.



Lifting point on the safety frame.



Noise emission to the environment as referred to in the EC directive. The emission of the product is specified in *Technical data on page 26* and on the label.



This product is in compliance with applicable EC directives.



LH 700: Keep your hands away from this area.



LH 700: Risk of crush injuries.



LH 700: Risk of injuries. The engine has moving parts.



LH 700: Risk of injury if the handle falls on you. Lock the handle in the lifted position.



LH 804: Hydraulic oil pressure.



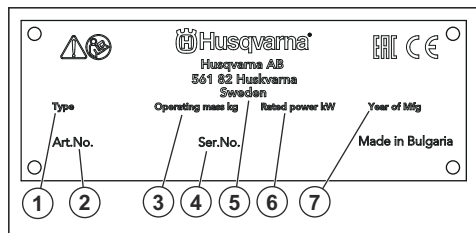
LH 804: Main switch. Battery ON/OFF.



Do not clean the engine with a high-pressure washer.

Note: Other symbols/decals on the product refer to special certification requirements for some markets.

Type plate



1. Product type
2. Product number
3. Product weight
4. Serial number

5. Manufacturer
6. Rated power
7. Production year

Product liability

As referred to in the product liability laws, we are not liable for damages that our product causes if:

- the product is incorrectly repaired.
- the product is repaired with parts that are not from the manufacturer or not approved by the manufacturer.
- the product has an accessory that is not from the manufacturer or not approved by the manufacturer.
- the product is not repaired at an approved service center or by an approved authority.

Safety

Safety definitions

Warnings, cautions and notes are used to point out specially important parts of the manual.



WARNING: Used if there is a risk of injury or death for the operator or bystanders if the instructions in the manual are not obeyed.



CAUTION: Used if there is a risk of damage to the product, other materials or the adjacent area if the instructions in the manual are not obeyed.

Note: Used to give more information that is necessary in a given situation.

General safety instructions



WARNING: Read the warning instructions that follow before you use the product.

- This product is a dangerous tool if you are not careful or if you use the product incorrectly. This product can cause serious injury or death to the operator or others. Before you use the product, you must read and understand the contents of this operator's manual.
- Save all warnings and instructions.
- Comply with all applicable laws and regulations.
- The operator and the employer of the operator must know and prevent the risks during operation of the product.
- Do not let a person operate the product unless they read and understand the contents of the operator's manual.

- Do not operate the product unless you receive training before use. Make sure that all operators receive training.
- Do not let a child operate the product.
- Only let approved persons operate the product.
- The operator is responsible for accidents that occur to other persons or their property.
- Do not use the product if you are tired, ill, or under the influence of alcohol, drugs or medicine.
- Always be careful and use your common sense.
- This product produces an electromagnetic field during operation. This field can under some circumstances interfere with active or passive medical implants. To decrease the risk of serious injury or death, we recommend persons with medical implants to speak to their physician and the medical implant manufacturer before operating this product.
- Keep the product clean. Make sure that you can clearly read signs and decals.
- Do not use the product if it is defective.
- Do not do modifications to this product.
- Do not operate the product if it is possible that other persons have done modifications to the product.

Safety instructions for operation



WARNING: Read the warning instructions that follow before you use the product.

- Make sure that you know how to stop the engine quickly in an emergency.
- The operator must have the physical strength that is necessary to operate the product safely.
- Do not operate the product without all protective covers installed.
- Use personal protective equipment. Refer to *Personal protective equipment on page 7.*

- Make sure that only approved persons are in the work area.
- Keep the work area clean and bright.
- Make sure that you are in a safe and stable position during operation.
- Make sure that there is no risk that you or the product can fall from a height.
- Make sure that there is no grease or oil on the handle.
- Do not use the product in areas where fire or explosions can occur.
- The product can cause objects to eject at high speed. Make sure that all persons in the work area use approved personal protective equipment. Remove loose objects from the work area.
- Before you go away from the product, stop the engine and make sure that there is no risk of accidental start.
- Make sure that clothes, long hair and jewelry do not get caught in moving parts.
- Do not sit on the product.
- Do not hit the product.
- Always operate the product from behind with your hands on the handle.
- Do not operate the product near electrical cables. The product does not have electrical insulation and injury or death can occur.
- Before you operate the product, find out if there are hidden wires, cables and pipes in the work area. If the product hits a hidden object, stop the engine immediately and examine the product and the object. Do not start to operate the product again until you know that it is safe to continue.

Remote control safety (LH 804)



WARNING: Read the warning instructions that follow before you use the product.

- The product can be operated by a remote control for long distances. Do not operate the product unless you have clear view of the product and its risk area. Cordon off the work area to prevent injury to bystanders.
- Do not operate the product from a longer distance than 20 m/66 ft.
- Do not let a person operate the remote control unless they read and understand the contents of the operator's manual.
- Do not operate the remote control unless you receive training before use. Make sure that all operators receive training in the operation of the remote control and the control system of the product. If the operator does not know the control system, sudden movements in the product can occur and cause injuries.
- Before you go away from the product, stop the engine and the remote control. Put the remote

control in the transport position behind the rear cover. Lock the rear cover with a padlock. This makes sure that the product cannot be used by persons that are not approved.

- If an error occurs in the control system, push the emergency stop button on the remote control and disconnect the battery. Let an approved service center repair the product.

Vibration safety



WARNING: Read the warning instructions that follow before you use the product.

- During operation of the product, vibrations go from the product to the operator. Regular and frequent operation of the product can cause or increase the degree of injuries to the operator. Injuries can occur in fingers, hands, wrists, arms, shoulders, and/or nerves and blood supply or other body parts. The injuries can be debilitating and/or permanent, and can increase gradually during weeks, months or years. Possible injuries include damage to the blood circulation system, the nervous system, joints, and other body structures.
- Symptoms can occur during operation of the product or at other times. If you have symptoms and continue to operate the product, the symptoms can increase or become permanent. If these or other symptoms occur, get medical aid:
 - Numbness, loss of feeling, tingling, pricking, pain, burning, throbbing, stiffness, clumsiness, loss of strength, changes in skin color or condition.
- Symptoms can increase in cold temperatures. Use warm clothing and keep your hands warm and dry when you operate the product in cold environments.
- Do maintenance on and operate the product as given in the operator's manual, to keep a correct vibration level.
- The product has a vibration damping system that decreases the vibrations from the handles to the operator. Let the product do the work. Do not push the product with force. Hold the product at the handles lightly, but make sure that you control the product and operate it safely. Do not push the handles into the end stops more than necessary.
- Keep your hands on the handle or handles only. Keep all other body parts away from the product.
- Stop the product immediately if strong vibrations suddenly occurs. Do not continue the operation before the cause of the increased vibrations is removed.

Dust safety



WARNING: Read the warning instructions that follow before you use the product.

- Operation of the product can cause dust in the air. Dust can cause serious injury and permanent health problems. Silica dust is regulated as harmful by several authorities. These are examples of such health problems:
 - The fatal lung diseases chronic bronchitis, silicosis and pulmonary fibrosis
 - Cancer
 - Birth defects
 - Skin inflammation
- Use correct equipment to decrease the quantity of dust and fumes in the air and to decrease dust on work equipment, surfaces, clothing and body parts. Examples of controls are dust collection systems and water sprays to bind dust. Decrease dust at the source where possible. Make sure that the equipment is correctly installed and used and that regular maintenance is done.
- Use approved respiratory protection. Make sure that the respiratory protection is applicable for the dangerous materials in the work area.
- Make sure that the airflow is sufficient in the work area.
- If it is possible, point the exhaust of the product where it cannot cause dust to go into the air.

Exhaust fumes safety



WARNING: Read the warning instructions that follow before you use the product.

- The exhaust fumes from the engine contain carbon monoxide which is an odourless, poisonous and very dangerous gas. To breathe carbon monoxide can cause death. Because carbon monoxide is odourless and cannot be seen, it is not possible to sense it. A symptom of carbon monoxide poisoning is dizziness, but it is possible that a person becomes unconscious without warning if the quantity or concentration of carbon monoxide is sufficient.
- Exhaust fumes also contain unburned hydrocarbons including benzene. Long-term inhalation can cause health problems.
- Exhaust fumes that you can see or smell also contain carbon monoxide.
- Do not use a combustion engine product indoors or in areas that do not have sufficient airflow.
- Do not breathe the exhaust fumes.
- Make sure that the airflow in the work area is sufficient. This is very important when you operate the product in trenches or other small work areas where exhaust fumes can easily collect.

Noise safety



WARNING: Read the warning instructions that follow before you use the product.

- High noise levels and long-term exposure to noise can cause noise-induced hearing loss.
- To keep the noise level to a minimum, do maintenance on and operate the product as given in the operator's manual.
- Examine the muffler for damages and defects. Make sure that the muffler is correctly attached to the product.
- Use approved hearing protection while you operate the product.
- Listen for warning signals and voices when you use hearing protection. Remove the hearing protection when the product is stopped, unless hearing protection is necessary for the noise level in the work area.

Personal protective equipment



WARNING: Read the warning instructions that follow before you use the product.

- Always use approved personal protective equipment when you operate the product. Personal protective equipment cannot fully prevent injury but it decreases the degree of injury if an accident does occur. Let your dealer help you select the correct personal protective equipment.
- Regularly do a check of the condition of the personal protective equipment.
- Use an approved protective helmet.
- Use approved hearing protection.
- Use approved respiratory protection.
- Use approved eye protection with side protection.
- Use protective gloves.
- Use boots with steel toe-cap and non-slip sole.
- Use approved work clothing or equivalent close-fitting clothing that has long sleeves and long legs.

Fire extinguisher

- Keep a fire extinguisher near during operation.
- Use a powder fire extinguisher of "ABE" class or a carbon dioxide fire extinguisher of "BE" type.

Safety devices on the product



WARNING: Read the warning instructions that follow before you use the product.

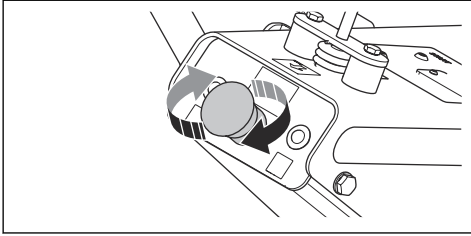
- Do not use a product with defective safety devices.
- Do a check of the safety devices regularly. If the safety devices are defective, speak to your Husqvarna service agent.

Emergency stop button

The emergency stop button is used to quickly stop the engine.

To do a check of the emergency stop button (LH 700)

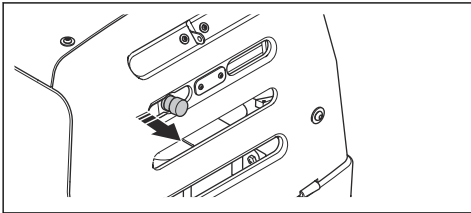
1. Turn the emergency stop button clockwise to make sure that it is disengaged.



2. Start the engine. Refer to *To start the product (LH 700) on page 11*.
3. Push the emergency stop button.
4. Make sure that the engine stops.
5. Turn the emergency stop button clockwise to disengage.

To do a check of the emergency stop button (LH 804)

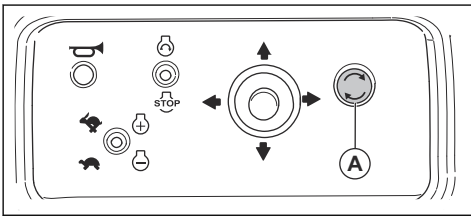
1. Pull the emergency stop button out to make sure that it is disengaged.



2. Start the engine. Refer to *To start the product (LH 804) on page 17*.
3. Push the emergency stop button.
4. Make sure that the engine stops.
5. Pull the emergency stop button out to disengage.

Emergency stop button on the remote control (LH 804)

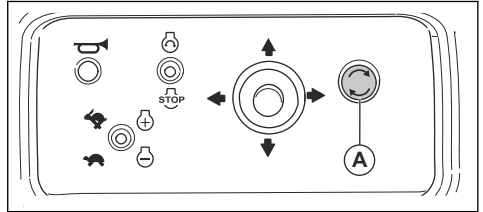
The emergency stop button on the remote control (A) is used to quickly stop the engine. The emergency stop button is also the ON/OFF button for the remote control.



CAUTION: Do not use the emergency stop button on the remote control to stop the product unless there is an emergency.

To do a check of the emergency stop button on the remote control (LH 804)

1. Start the engine. Refer to *To start the product (LH 804) on page 17*.
2. Push the emergency stop button (A) on the remote control.



3. Make sure that the engine stops.
4. Turn the emergency stop button on the remote control clockwise to disengage.

To do a check of the ignition lock (LH 700)

- Start and stop the engine. Refer to *To start the product (LH 700) on page 11* and *To stop the product (LH 700) on page 12*.
 - a) Make sure that the engine starts when you turn the ignition key clockwise.
 - b) Make sure that the engine stops immediately when you turn the ignition key counterclockwise.

Muffler

The muffler keeps the noise levels to a minimum and sends the exhaust fumes away from the operator.

Do not use the product if the muffler is missing or defective. A defective muffler increases the noise level and the risk of fire.



WARNING: The muffler becomes very hot during and after use and when the engine operates at idle speed. Be careful near flammable materials and/or fumes to prevent fire.

To do a check of the muffler

- Examine the muffler regularly to make sure that it is attached correctly and not damaged.

Safety frame

The safety frame prevents damage to the product if it falls.

To do a check of the safety frame

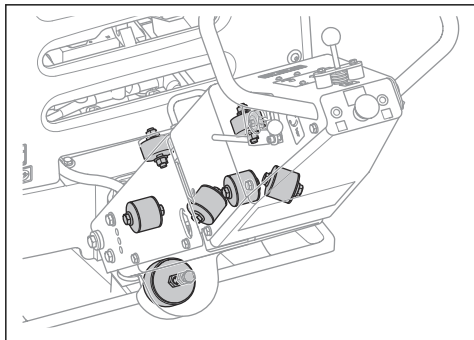
- Make sure that there are no cracks or other damages on the safety frame.
- Make sure that the safety frame is correctly installed on the product.

Vibration damping units

The vibration damping units decrease vibration in the product. The vibration damping units decrease harmful vibrations to prevent injury to the operator and damage to the product.

To do a check of the vibration damping units

There are 11 vibration damping units, 2 on each side of the product, and 7 between the handle and the engine plate.



- Make sure that the vibration damping units are correctly installed.
- Examine the vibration damping units for damages and wear.
- Replace the vibration damping units if it is necessary.

Fuel safety



WARNING: Read the warning instructions that follow before you use the product.

- Fuel is flammable and the fumes are explosive. Be careful with fuel to prevent injury, fire and explosion.
- Do not breathe in the fuel fumes. The fuel fumes are poisonous and can cause injury. Make sure that the airflow is sufficient.
- Do not remove the fuel tank cap or fill the fuel tank when the engine is on.
- Let the engine become cool before you refuel.
- Do not fill fuel in an indoor area. Not sufficient airflow can cause injury or death because of asphyxiation or carbon monoxide.
- Do not smoke near the fuel or the engine.
- Do not put hot objects near the fuel or the engine.
- Do not fill fuel near sparks or flames.
- Before you refuel, open the fuel tank cap slowly and release the pressure carefully.
- Fuel on your skin can cause injury. If you get fuel on your skin, use soap and water to remove the fuel.

- If you spill fuel on your clothing, change clothing immediately.
- Do not fill the fuel tank fully. Heat causes the fuel to expand. Keep a space at the top of the fuel tank.
- Tighten the fuel tank cap fully. If the fuel tank cap is not tightened, there is a risk of fire.
- Before you start the product, move the product to a minimum of 3 m/10 ft from where you refueled.
- Do not start the product if there is fuel or engine oil on the product. Remove the unwanted fuel and engine oil and let the product dry before you start the engine.
- Examine the engine for leaks regularly. If there are leaks in the fuel system, do not start the engine until the leaks are repaired.
- Do not use your fingers to examine the engine for leaks.
- Keep fuel in approved containers only.
- When the product and fuel is in storage, make sure that fuel and fuel fumes cannot cause damage.
- Drain the fuel in an approved container outdoors and away from sparks and flames.

Battery safety



WARNING: A damaged battery can cause an explosion and cause injury. If the battery has a deformation or is damaged, speak to an approved Husqvarna service agent.



WARNING: Read the warning instructions that follow before you use the product.

- Use protective glasses when you are near batteries.
- Do not wear watches, jewelry or other metal objects near the battery.
- Keep the battery out of reach for children.
- Charge the battery in a space with good airflow.
- Keep flammable materials at a minimum clearance of 1 m when you charge the battery.
- Discard replaced batteries. See *Disposal on page 25*.
- Explosive gases can come from the battery. Do not smoke near the battery. Keep the battery away from open flames and sparks.

Safety instructions for operation on slopes



WARNING: Read the warning instructions that follow before you use the product.

- Do not operate the product on a slope that is more than 20°. Loose ground, vibrations and the operation speed can cause the product to fall on a slope that is less than 20°.

- Make sure that the work area is safe. Wet and loose soil decreases safe operation of the product. Be very careful on slopes and rough surfaces.
- Make sure that all persons in the work area are above the product on the slope.
- Operate the product up and down the slope, not from side to side.
- Do not park the product on a slope. If you must park the product on a slope, make sure that the product cannot fall. There is a risk of injury and damage.

- Use personal protective equipment. Refer to *Personal protective equipment on page 7*.
- Stop the engine and make sure that all parts of the product are cool before you do the maintenance.
- Clean the product to remove dangerous material before you do the maintenance.
- Disconnect the spark plug cap before you do the maintenance.
- The exhaust fumes from the engine are hot and can contain sparks. Do not operate the product in indoor areas or near flammable material.
- Do not change the product. Modifications that are not approved by the manufacturer, can cause serious injury or death.
- Always use original accessories and spare parts. Accessories and spare parts that are not approved by the manufacturer, can cause serious injury or death.
- Replace damaged, worn or broken parts.
- Only do the maintenance as given in this operator's manual. Let an approved service center do all other servicing.
- Remove all tools from the product before you start the engine after maintenance. Loose tools or tools attached to rotating parts can eject and cause injury.
- After maintenance, do a check of the vibration level in the product. If it is not correct, speak to an approved service center.
- Let an approved service center do servicing on the product regularly.

Safety instructions for operation near edges



WARNING: Read the warning instructions that follow before you use the product.

- There is a risk that the product falls when you operate it near an edge. Always keep a minimum of $\frac{2}{3}$ of the product on a surface that is sufficiently stable to hold the product weight.
- If the product falls, stop the engine before you lift the product back to a surface that is sufficiently stable. Refer to *To lift the product on page 23*.

Safety instructions for maintenance



WARNING: Read the warning instructions that follow before you use the product.

- If the maintenance is not done correctly and regularly, the risk of injury and damage to the product increases.

Operation

Introduction



WARNING: Read and understand the safety chapter before you use the product.

To do before you operate the product

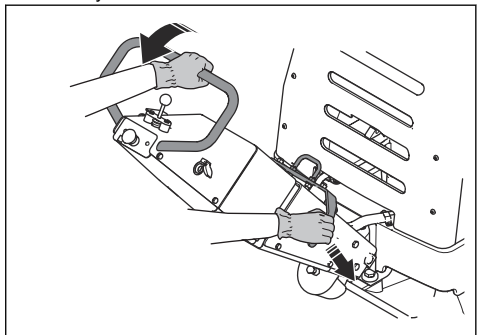
- Read the operator's manual carefully and make sure that you understand the instructions.
- Read the engine manual that is supplied by the engine manufacturer.
- Do the daily maintenance. Refer to *Maintenance schedule on page 18*.

To set the handle to operation position (LH 700)



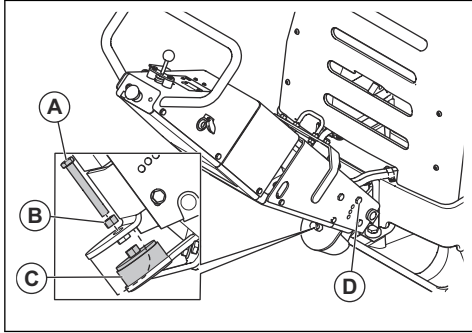
WARNING: Hold the handle tightly when you change the position of the handle. There is a risk of injury if the handle falls on you.

1. Hold the handle.
2. Push the lock lever down and lower the handle carefully.



To adjust the handle height (LH 700)

1. Loosen the screw (A).



2. Loosen the nut (B) for the vibration damping unit (C).
3. Remove the 2 screws (D), 1 on each side of the handle.
4. Adjust the handle height to the correct operation position for the operator.
5. Attach and tighten the 2 screws (D).
6. Adjust the vibration damping unit (C) with the screw (A).
7. Tighten the nut (B).

To start the product (LH 700)

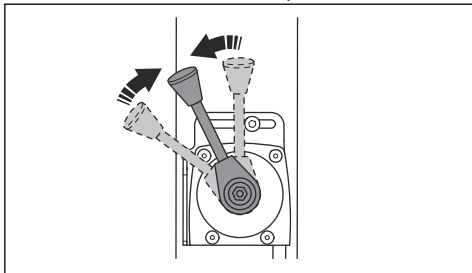


WARNING: Keep your feet away from the product during the start procedure. The hydraulic system can cause the product to move suddenly when the engine starts.

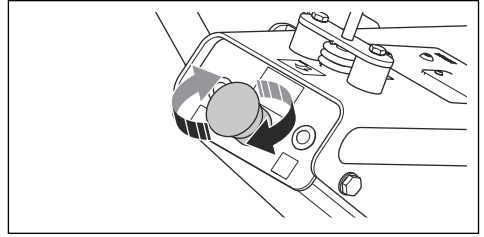


CAUTION: Do not use start gas. Start gas can decrease the life of the engine.

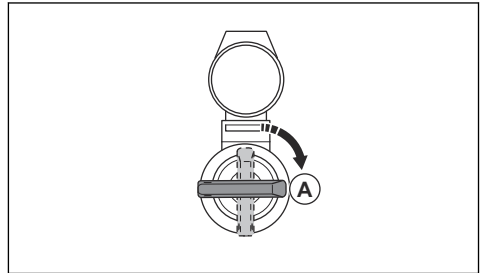
1. Set the throttle control to idle speed.



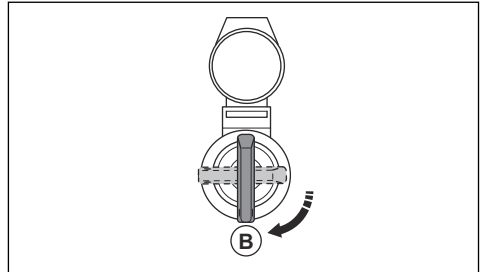
2. Make sure that the emergency stop button is disengaged.



3. Turn the ignition key to the ignition position (A). The indicators for battery charge and oil pressure come on.



4. Turn the ignition key to the start position (B).



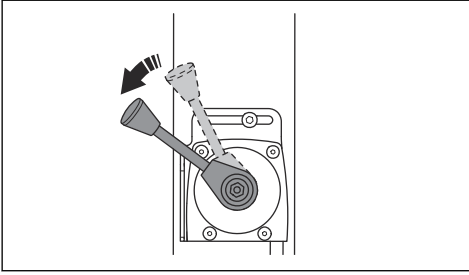
- a) When the engine starts, immediately release the ignition key. The ignition key goes to neutral position.
- b) If the engine does not start in 10 seconds, release the ignition key and wait 5 seconds before you try again.



CAUTION: If the indicators for battery charge and oil pressure do not go off when the product starts, stop the product. Let an approved service center do troubleshooting and repair the product before you start it again.

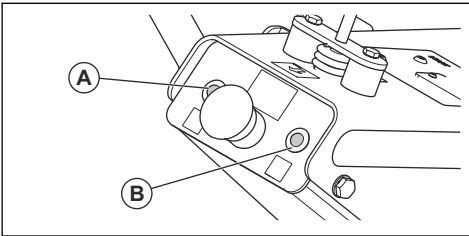
5. Let the engine operate at idle speed for 2–3 minutes.

6. Set the throttle control to full throttle.



Indicators for battery charge and oil pressure

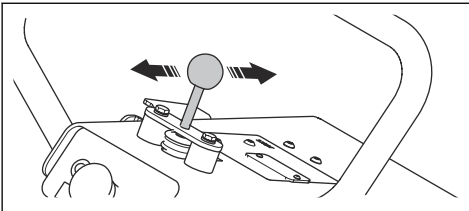
The indicator for oil pressure (A) comes on if the oil pressure is too low. The indicator for battery charge (B) comes on if the battery does not charge correctly.



To operate the product (LH 700)

Always operate the product with the throttle control set to full throttle.

- To operate the product forward, move the operation control fully forward and release it.

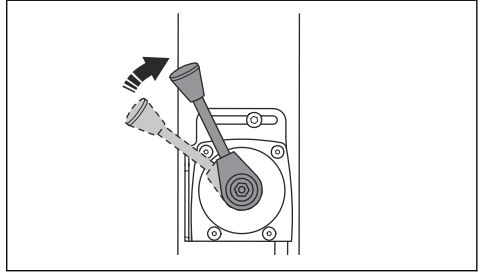


- To operate the product rearward, move the operation control fully rearward and release it.
- To stop the movement of the product, move the operation control in the opposite direction in small movements until the product is stationary.
- To change direction, turn the product around by the handle.

To stop the product (LH 700)

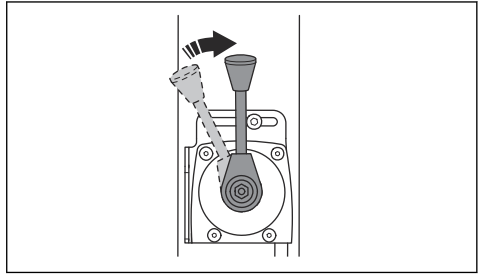
1. Park the product on level ground.

2. Set the throttle control to idle speed.

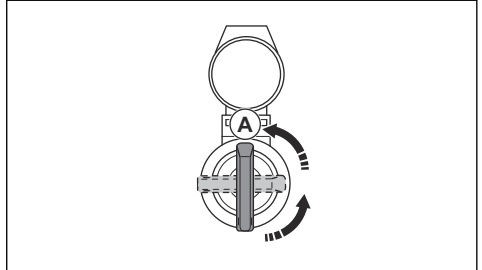


3. Let the engine operate at idle speed for 2–3 minutes.

4. Set the throttle control to the stop position.



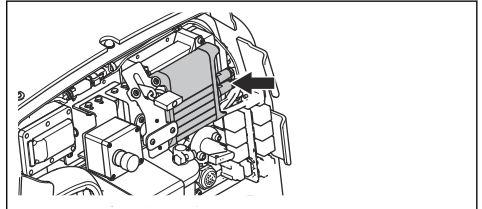
5. Turn the ignition key to the stop position (A).



6. Remove the ignition key to prevent accidental start.

Receiver (LH 804)

The receiver is found behind the rear cover of the product.



LED indicator on the receiver

The LED indicator on the receiver shows the state of connection to the remote control.

LED indicator	Cause
Flashes green quickly.	The remote control is not connected to the receiver.
Flashes green slowly.	The remote control is connected to the receiver. The safety relay (RCSS) is on.
On with a green light.	The remote control is connected to the receiver. The safety relay (RCSS) is off.
On with a yellow light.	50% time out.
On with a red light.	Internal error in the receiver.
Flashes red quickly.	Internal error in the remote control.

Remote control (LH 804)



CAUTION: Do not lift the remote control by the joystick.

The remote control can operate by Bluetooth® wireless technology. To operate by Bluetooth® wireless technology, it is necessary to do a pairing operation. Refer to *To do a pairing operation between the remote control and the product on page 14*.

The remote control can also operate with a cable connected between the remote control and the product. The cable can for example be used when the state of charge in the remote control battery is low. For instructions on how to connect the remote control to the product with a cable, refer to *To connect the remote control by cable on page 15*.

The remote control has all controls that are necessary to operate the product. The remote control has a digital display that shows system information. Refer to *System information on the remote control display on page 16*.

Note: The serial number is found on a label behind the remote control battery.

LED indicator on the remote control

The LED indicator shows the state of charge and if there are problems with the remote control.

LED indicator	Cause
Flashes green quickly.	The remote control is not connected to the receiver.
Flashes green and red quickly.	The joystick is not in center position at startup.

LED indicator	Cause
Flashes green slowly.	The remote control is connected to the receiver.
On with a yellow light.	The battery charge is low.
On with a yellow light for 10 seconds and then goes off.	The battery is empty.
On with a red light for 10 seconds and then goes off.	Internal error in the remote control.
Flashes green and yellow.	Pairing operation is in progress.
On with a green light.	The pairing operation is completed.

Remote control battery

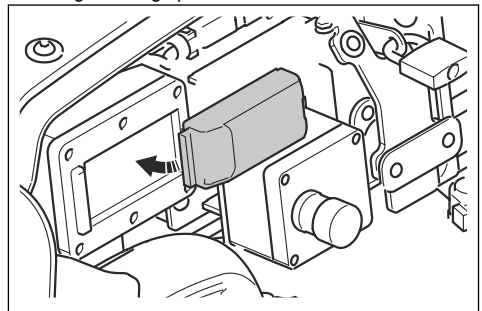
2 batteries of type NiMH, 1500 mAh, are supplied with the product. The second battery can be charged in the battery charger on the product during operation or in the supplied desktop charger.

It is necessary to do a trickle charging of the remote control battery each 4 weeks if the remote control is not used.

The operation time for a fully charged battery is approximately 15 hours. When the LED indicator on the remote control is yellow for 10 seconds, it is necessary to charge the battery. But the battery can be used for 15 more minutes.

To charge a remote control battery during operation

1. Clean the contact surfaces of the battery and the battery charger behind the rear cover on the product.
2. Put the battery into the battery charger. The battery charges during operation.



To charge a remote control battery in a desktop charger



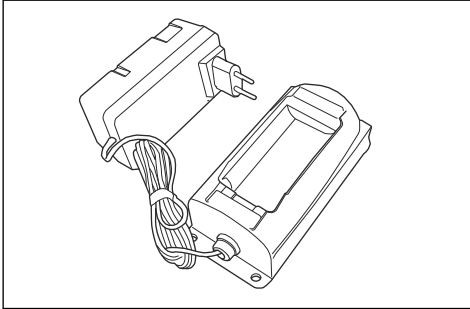
WARNING: Do not charge the battery in a moist location at a high temperature. Risk of explosion. Use the desktop charger in a dry

location only, in the temperature range -25–70°C/-13–158°F.

The desktop charger operates in the voltage range 100–240 V. The desktop charger has an adapter that can be used in most power sockets.

The time to fully charge the battery is 2.5 hours at correct temperature. The battery does not become damaged if it stays in the desktop charger when fully charged.

1. Clean the contact surfaces of the battery and the desktop charger.



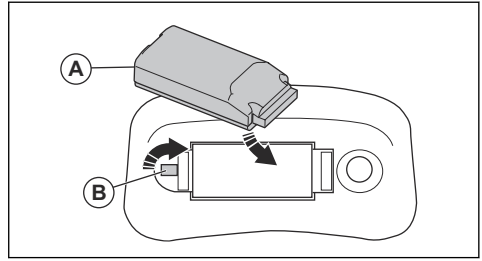
2. Connect the desktop charger to a power socket. A yellow LED on the desktop charger shows that it is prepared to charge.
3. Put the battery into the desktop charger. After 10 seconds, the desktop charger starts to charge.

LED indicator	Cause
Yellow.	Charger prepared.
Orange.	The battery charges.
Flashes green and yellow.	The battery is almost fully charged.
Green.	Trickle charging. Fully charged.
Flashes orange and green.	Error.

To install and remove a remote control battery

1. Clean the contact surfaces of the battery and the battery slot in the remote control.

2. Put a battery (A) into the remote control.



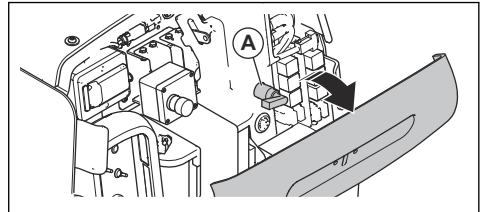
3. Turn the lock (B) to the locked position.
4. To remove the battery, turn the lock (B) to the open position.

To do a pairing operation between the remote control and the product

The first time the remote control is used together with the product, a pairing operation is necessary.

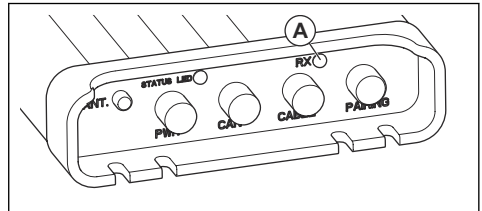
A pairing operation is also necessary if the remote control is replaced or if you change remote controls between products.

1. Open the rear cover of the product.
2. Put the lever for the battery switch in the battery switch (A).

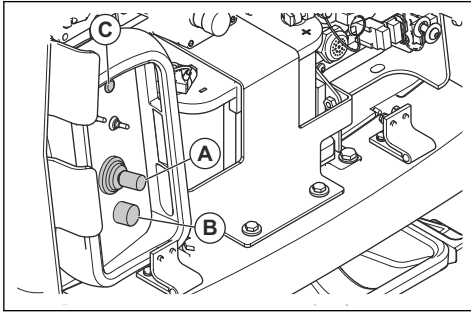


Note: The lever for the battery switch hangs on a chain behind the rear cover.

3. Turn the battery switch to the locked position to engage the battery.
4. Push the button on the receiver to start the pairing operation. The RX indicator (A) on the receiver starts to flash in green and yellow.



5. Move and hold the joystick (A) on the remote control away from center position.



6. Turn the start/stop button (B) clockwise to start the remote control.
7. Push the button (C) for a minimum of 5 seconds. The LED indicator on the remote control starts to flash in green and yellow. The pairing operation is also shown on the display.
8. Release the joystick. The RX indicator on the receiver and the LED indicator on the remote control has a green light.
 - a) If the RX and LED indicators do not have a green light, the pairing operation was not done correctly. Do the procedure again.
9. Push the start/stop button on the remote control and then turn it clockwise to restart the remote control.
10. Push the start/stop button on the product to restart the receiver.

To connect the remote control by cable

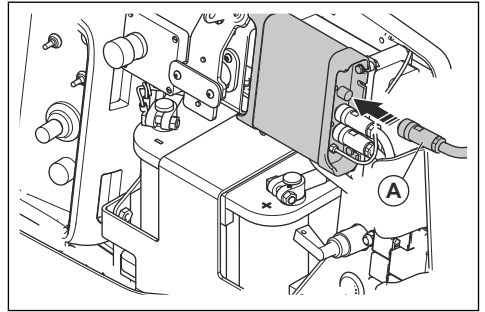


WARNING: Do not use the remote control with cable steering where there is a risk that the product falls on its side. The operator must be disengaged from the product.

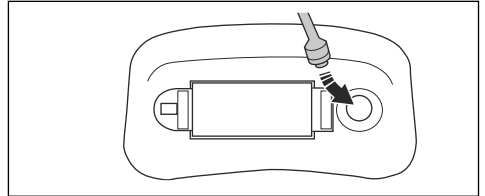


CAUTION: Clean the connector before you connect the cable. A damaged connector must be replaced by an approved service center.

1. Connect the cable (A) to the receiver.



2. Connect the cable to the remote control.

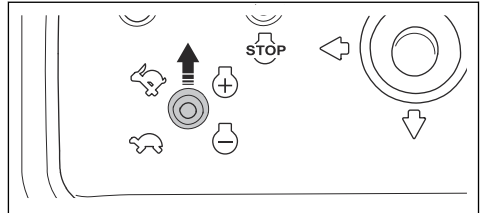


To operate the product with the remote control



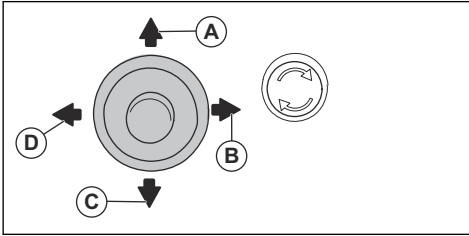
WARNING: Make sure that you can see the product at all times when you operate it with the remote control. The operation range of the remote control makes it possible to move the product also when you cannot see it. Risk of injury and damage.

1. Move the switch for engine speed up, to full throttle.



CAUTION: If you decrease the engine speed, you must operate the engine at low speed for 30 seconds before you increase the speed again.

2. Move the joystick to move the product in that direction:



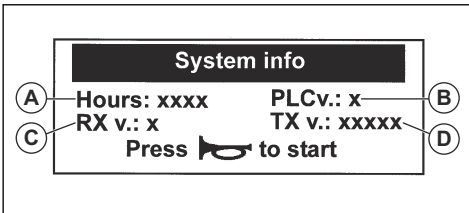
- a) Forward operation (A).
- b) Right operation (B).
- c) Rearward operation (C).
- d) Left operation (D).

The vibration starts when you move the joystick.

3. Release the joystick to stop the movement of the product and the vibration.

System information on the remote control display

When the remote control starts, this information shows on the display:



- Hour meter for engine operation (A).
- Software version for the electronic control unit (ECU) (B).
- Software version for the receiver (C).
- Software version for the remote control (D).

During operation, these messages can show on the display:

Event	Information on the display
Pairing operation	
Pairing operation	"Pairing info" "Pairing RX-TX..."
Pairing operation completed	"Pairing info" "Pairing RX-TX- Link OK" "Pairing ready!" "Restart system"

Event	Information on the display
Bluetooth®	
Bluetooth® connected	"Pairing info" "Pairing RX-TX- Link OK"
Bluetooth® fault	"Pairing info" "Pairing RX-TX- Link ER-ROR" "Pairing failed!" "Restart system"
Link timeout	
Pairing operation failed	"Pairing info" "Pairing RX-TX..." "Pairing failed!" "Restart system"
Pairing operation failed	"Pairing info" "Pairing RX-TX- Link OK" "Pairing failed!" "Restart system"

Symbols on the remote control display



The remote control is connected to the receiver by radio communication.



The battery charges.



The oil pressure is too low. The engine stops in 30 seconds.



CA: CAN error. Do a check of the connection between the receiver and the electronic control unit (ECU).



The remote control is connected to the receiver by cable.



There is no radio communication between the remote control and the receiver.



The temperature of the hydraulic oil is too high. The engine stops.

To start the product (LH 804)

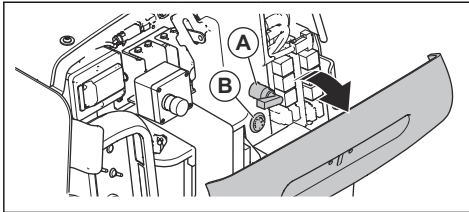


WARNING: Keep your feet away from the product during the start procedure. The hydraulic system can cause the product to move suddenly when the engine starts.



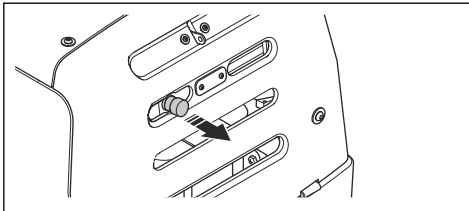
CAUTION: Do not use start gas. Start gas can decrease the life of the engine.

1. Open the rear cover and remove the remote control from the transport position.
2. Put the lever for the battery switch in the battery switch (A).

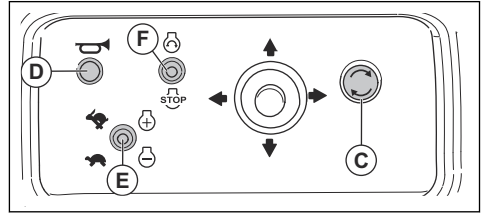


Note: The lever for the battery switch hangs on a chain behind the rear cover.

3. Turn the battery switch to the locked position to engage the battery. The buzzer (B) operates until the engine starts.
4. Close the rear cover and pull out the emergency stop button.



5. Turn the start/stop button (C) clockwise to start the remote control.



6. Push the button (D) to connect the remote control to the receiver.

Note: If the remote control is used for the first time, it is necessary to do a pairing operation. Refer to *To do a pairing operation between the remote control and the product on page 14.*

7. Move the switch for engine speed (E) down to low speed.
8. Push the start/stop switch (F) up to start the engine. Release the start/stop switch when the engine starts. The buzzer stops.



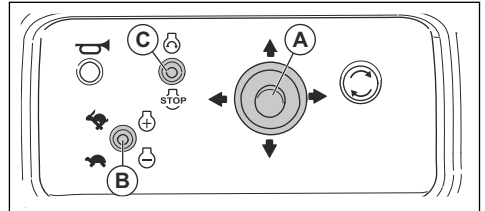
CAUTION: If the engine does not start, wait 3 seconds before you try again. If the starter motor is operated for more than 20 seconds, it cannot be started for 8 seconds. This prevents overload in the starter motor. You must wait 8 seconds before you can try to start the engine again.

Note: The battery capacity is specified for 25°C/77°F and the battery capacity decreases when the temperature is lower. The battery capacity is not fully decreased when cold, and it has full capacity again when it becomes warm.

9. Examine the state of charge of the remote control battery. Refer to *Remote control battery on page 13.*

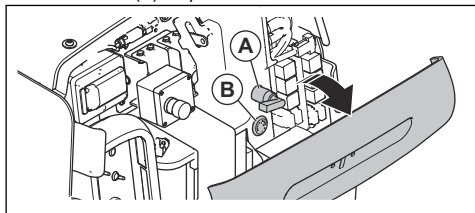
To stop the product (LH 804)

1. Park the product on level ground.
2. Release the joystick (A) to stop the vibration.

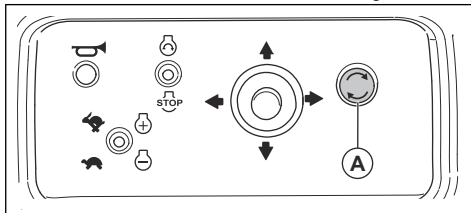


3. Move the switch for engine speed (B) down to low speed.
4. Let the engine operate at idle speed for 2–3 minutes.

- Push the start/stop switch (C) down to stop the engine. The buzzer starts.
- Open the rear cover and turn the battery switch (A). The buzzer (B) stops.



- Push the stop button (A) to stop the remote control. The LED indicator on the remote control goes off.



- Put the remote control in the transport position behind the rear cover. Lock the rear cover with a padlock. This makes sure that the product cannot be used by persons that are not approved.

Maintenance

Introduction



WARNING: Read and understand the safety chapter before you do maintenance on the product.

Maintenance schedule

* = General maintenance done by the operator. The instructions are not given in this operator's manual.

X = The instructions are given in this operator's manual.

General product maintenance	Before use, each 10 h	Weekly, each 100 h	Monthly, each 250 h	Yearly, each 500 h
Make sure that there are no fuel or oil leaks.	*			
Clean the product.	X			
Make sure that nuts and screws are tightened.	*			
Do a check of the functions of the remote control and the receiver (LH 804).	*			
Examine the safety straps for damage. Replace if it is necessary.	X			
Examine the vibration damping units for damage.			X	X
Examine all rubber hoses and rubber elements for damage. Replace if it is necessary.			X	X
Do a check of the hydraulic oil level.		X	X	
Do a check of the battery.			X	X
Replace the oil in the eccentric element.				X
Replace the hydraulic oil and hydraulic oil filter.				X

O = Refer to the instructions in the engine manual supplied by the engine manufacturer.

Engine maintenance	Before use, each 10 h	After the first 20 h	Weekly, each 100 h	Yearly, each 300 h
Do a check of the fuel level and the engine oil level.	X			
Examine the air filter. Clean the air filter if it is necessary.	X			

Engine maintenance	Before use, each 10 h	After the first 20 h	Weekly, each 100 h	Yearly, each 300 h
Clean the air filter.		X		
Replace the engine oil.		X		X
Clean the oil filter.		O		
Replace the air filter.				X
Do a check of the fuel injection pump.				O
Do a check of the fuel injection nozzle.				O
Drain the water separator.			X	X
Adjust the valve head clearance for the air intake and the exhaust valves.		O		O
Replace the piston rings.				O

To clean the product



CAUTION: Before you clean the product, attach a plastic bag tightly around the fuel tank cap. This is to make sure that water does not go into the venthole in the fuel tank cap.

- Use running water from a hose or a high-pressure washer to clean the product.



CAUTION: Do not point the water directly at the fuel tank cap, electrical components or the engine.

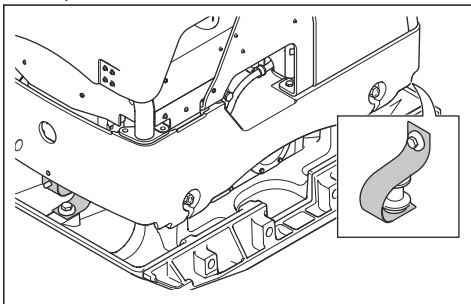
- Remove grease and oil from the handle.

To do a general inspection

- Make sure that all nuts and screws on the product are tightened correctly.

To do a check of the safety straps

1. Examine the safety straps at the front and the rear of the product.

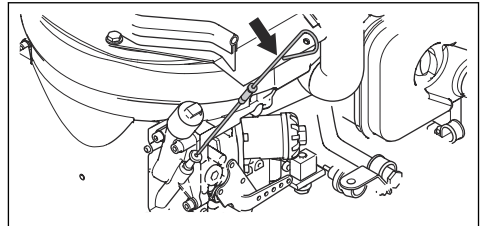


2. Examine the screws and nuts on the safety straps.
3. Replace damaged safety straps.

4. Replace damaged nuts and screws.
5. Tighten loose screws and nuts.

To do a check of the engine oil level

1. Remove the dipstick.



2. Clean the oil from the dipstick and put it back.
3. Remove the dipstick and examine the oil level on the dipstick. The oil level is correct when it is between the "Max." and "Min." marks on the dipstick.
4. If the oil level is low, remove the oil tank cap, fill with engine oil and do a check of the oil level again. Refer to the engine manual for the correct type of oil.

To replace the engine oil

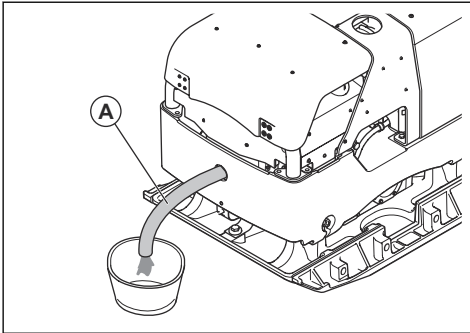
If the engine is cold, start the engine for 1–2 minutes before you drain the engine oil. This makes the engine oil warm and easier to drain.



WARNING: Engine oil is very hot directly after the engine stops. Let the engine become cool before you drain the engine oil. If you spill engine oil on your skin, clean with soap and water.

1. Put a container of a minimum 1.9 l/2.0 qt below the drain plug for the engine oil.

- Remove the oil drain plug and connect a hose (A).



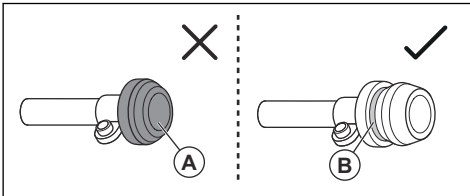
- Let the oil run out into the container.
- Remove the hose and clean around the oil drain plug.
- Install the oil drain plug and tighten it.
- Fill with new engine oil. Refer to the engine manual for the correct type of oil.
- Do a check of the engine oil level.

To examine the air filter indicator



CAUTION: Examine the air filter indicator each time the engine is started. A clogged air filter can cause damage to the product.

- Examine the air filter indicator.



- If the air filter indicator is compressed (A), clean or replace the air filter. Refer to *To clean or replace the air filter* on page 20.



WARNING: Stop the engine before you do the maintenance.

- If the the green mark (B) shows, no maintenance on the air filter is necessary.

Refer to the engine manual for more information about the air filter indicator.

To clean or replace the air filter



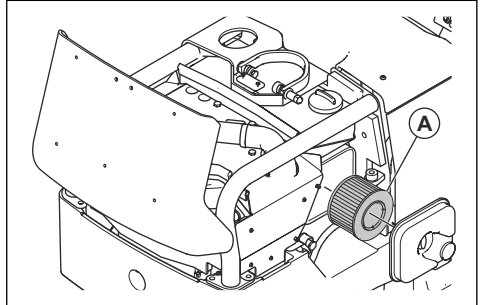
WARNING: Use approved respiratory protection when you clean or replace the air filter. Discard used air filters correctly. The

dust in the air filter is dangerous to your health.



WARNING: Do not clean the air filter with compressed air. This causes damage to the air filter and the risk increases that you breathe the dangerous dust.

- Remove the air filter cover.



- Remove the air filter (A) from the air filter housing.
- Clean the air filter housing with a brush.
- Tap the air filter against a hard surface or use a vacuum cleaner to remove the particles.



CAUTION: Do not let the nozzle of the vacuum cleaner touch the surface of the paper filter element. Keep a small distance. The sensitive surface of the paper filter element becomes damaged if objects touch it.

- Examine the air filter for damage.
- Discard the air filter if it is damaged, wet or if there is oil on it.



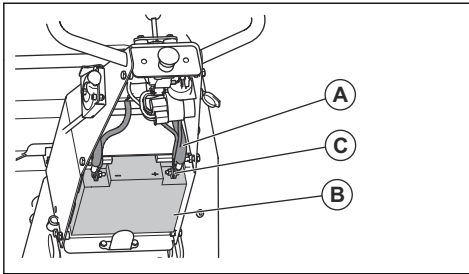
CAUTION: Always replace a damaged air filter, or the dust will go into the engine and cause engine damage.

- Install the clean air filter or a new air filter into the air filter housing.
- Install the air filter cover.

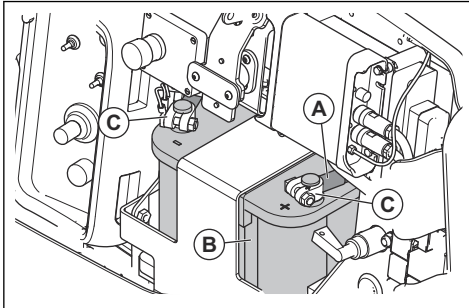
To do a check of the battery

- Disconnect the battery cables (A).

a) LH 700:



b) LH 804:



2. Examine the battery (B) for damages. Replace the battery if it is damaged.
3. Clean the battery terminals (C).
4. Connect the battery cables (A).

To charge the battery (LH 700)

- If the battery is not used for a long period of time, charge it fully before you use it.
- Use a battery charger that automatically adjusts the voltage. We recommend a 2-stage charger with constant voltage that automatically decreases to trickle charging when the battery is fully charged. Speak to your Husqvarna dealer for information about the correct battery charger.
- Do a trickle charging 1-2 times during the winter season when the product is in storage.

To charge the battery (LH 804)

The battery is a gel battery. It is not necessary to do maintenance on the battery.



WARNING: Do not charge the battery more than recommended. The life of the battery decreases and flammable gases can come from the battery.



CAUTION: If the battery becomes very hot when it charges, disconnect the battery immediately.

- Use a voltage-regulated battery charger for gel batteries. Refer to *Recommended battery chargers (LH 804)* on page 21. Speak to your Husqvarna dealer for more information about the correct battery charger.
- If the battery is not used for a long period of time, charge it fully before you use it.
- Do a trickle charging 1-2 times during the winter season when the product is in storage.

Recommended battery chargers (LH 804)

The recommendations are correct at an average ambient temperature of 25°C/77°F.

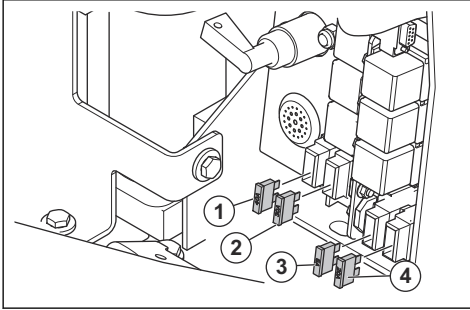
Battery charger type	Recommendations
Alternator.	13.65–15.0 V.
Constant voltage charger.	13.8–15.0 V. Max. 10 A. Charge for 6–12 h.
Float charger.	13.2–13.8 V. Max. 1 A. No time limit at lower voltages.
Fast charger, constant voltage charger.	Max. 15.6 V. No current limit if the battery temperature is less than 50°C/125°F. Charge until the current is less than 1 A.
Battery charger for cyclic batteries or batteries connected in a series string.	14.7 V. No current limit if the battery temperature is less than 50°C/125°F. When the current is less than 1 A, charge with 2 A constant current for 2 h.

Charge time at different currents (LH 804)

The recommendations are correct at an average ambient temperature of 25°C/77°F. The charge time changes with different ambient temperatures and different battery chargers.

Current	Approximate time to 90% charge level
100 A	35 minutes
50 A	75 minutes
25 A	140 minutes

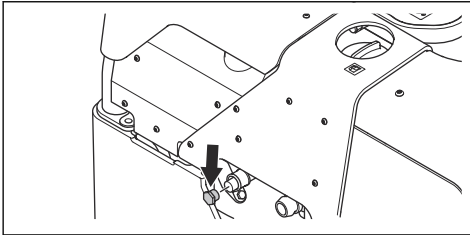
Fuses (LH 804)



1. Charge controller for the product battery, 40 A
2. Main fuse, 30 A
3. Receiver + Electronic Control Unit (ECU), 5 A
4. Charger for the remote control battery + Electronic Control Unit (ECU), 20 A

To drain the water separator

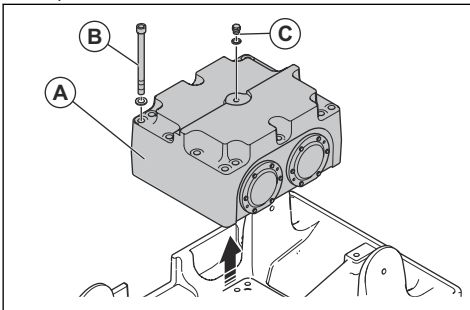
1. Remove the drain plug for the water separator.



2. Drain until there is only clean fuel in the bowl.
3. Install the drain plug.
4. Discard the water as chemical waste. Refer to *Disposal on page 25*.

To replace the oil in the eccentric element

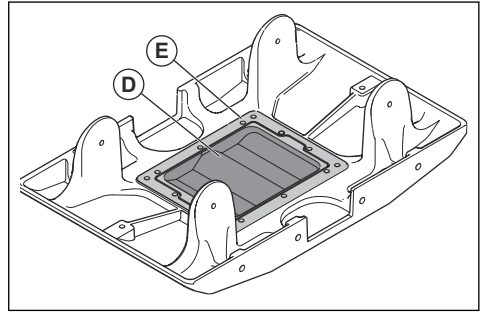
1. To remove the eccentric element (A), do these steps:



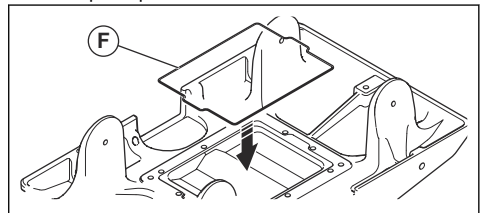
- a) Remove the 14 long socket screws (B).

- b) Remove the screw and washer (C) and install a ring bolt of type M16x1.5 in the hole.
- c) Attach lifting equipment to the ring bolt and lift the eccentric element.
- d) Put the eccentric element on a stable surface.

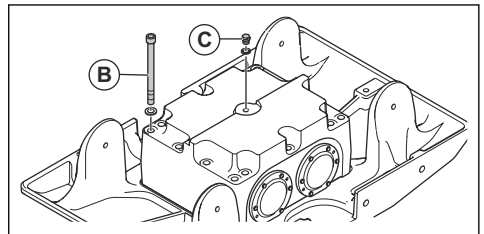
2. Remove the oil from the oil container (D) with an oil drain pump or equivalent.
3. Clean the oil container.



4. Clean the threaded holes for the 14 long socket screws.
5. Clean the surfaces (E) between the eccentric element and the bottom plate.
6. Fill the oil container with oil. Refer to *Technical data on page 26* for the correct type and quantity of oil.
7. Install a new O-ring (F) and apply grease on top of it to keep it in position.



8. Apply a drop of LOCTITE® N243™ in each of the threaded holes.
9. Lift the eccentric element back into position on the bottom plate and remove the ring bolt.
10. Tighten the screws (B) crosswise. Tightening torque 250 Nm.



11. Install the screw and washer (C). Tightening torque 45 Nm.

Hydraulic system

To do a check of the hydraulic hoses

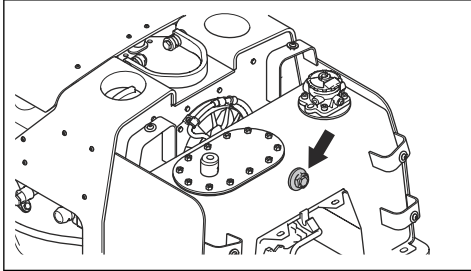
- Examine the hydraulic hoses regularly. Replace worn or damaged hydraulic hoses.



WARNING: Hydraulic oil is dangerous. The rubber in the hydraulic hoses wears with time. Worn or damaged hydraulic hoses can break and the hydraulic oil can cause injury. If you cannot tell if the hydraulic hoses are worn, always replace the hydraulic hoses.

To do a check of the hydraulic oil level

1. Read the hydraulic oil level through the sight glass.



2. If the hydraulic oil level is too low, fill with hydraulic oil. Refer to *To replace the hydraulic oil and hydraulic oil filter* on page 23.



CAUTION: If the hydraulic oil level becomes too low again and again, there is a leakage. Let an approved service center examine the hydraulic system.

To replace the hydraulic oil and hydraulic oil filter



WARNING: Risk of burn injury. The hydraulic oil becomes hot during operation of the product. Let the product become cool before you replace the hydraulic oil.

Transportation, storage and disposal

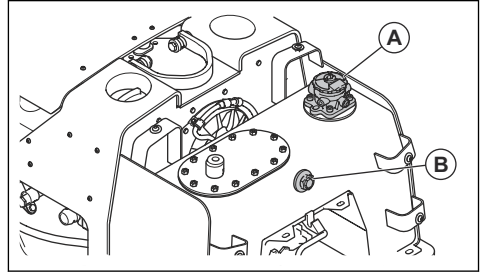
Transportation



WARNING: Be careful during transportation. The product is heavy and can cause injury or damage if it falls or moves during transportation.

Lift the product to move it shorter distances. For longer distances, put the product on a transportation vehicle.

1. Remove the protective cover (A) on the hydraulic oil tank.



2. Use an oil drain pump to drain the hydraulic oil from the hydraulic oil tank.
3. Fill with hydraulic oil up to the sight glass (B). Refer to *Technical data* on page 26 for the correct type of oil.
4. Replace the hydraulic oil filter.
5. Install the protective cover (A).

To weld



CAUTION: If it is necessary to weld on the product, the positive and the negative terminals of the battery must be disconnected. Do not connect the ground cable of the welder to the engine. Disconnect all cables from the receiver and the electronic control unit (ECU) before you weld on the product.



CAUTION: Do not tow the product behind a vehicle.

To lift the product



WARNING: Make sure that the lifting equipment has the correct specification to lift the product safely. The type plate on the product shows the product weight.

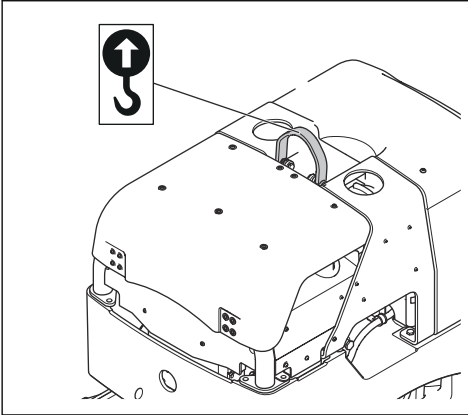


WARNING: Do not lift a damaged product. Make sure that the lifting eye, the vibration damping units and the safety straps are correctly installed and not damaged.



WARNING: Do not walk or stay below or near a lifted product.

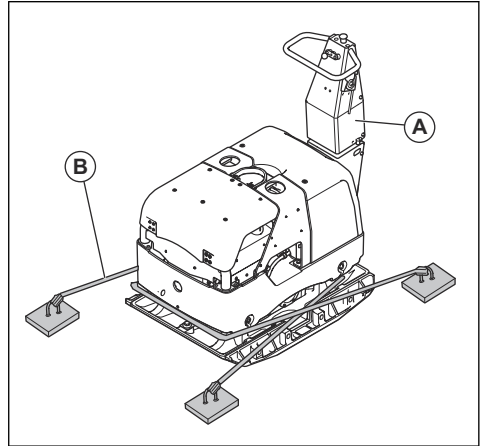
1. Lock the handle in upright position (model LH 700 only).
2. Attach the lifting equipment to the lifting eye.



WARNING: Do not use metal hooks, chains or other lifting equipment with rough edges that can cause damage to the lifting eye.

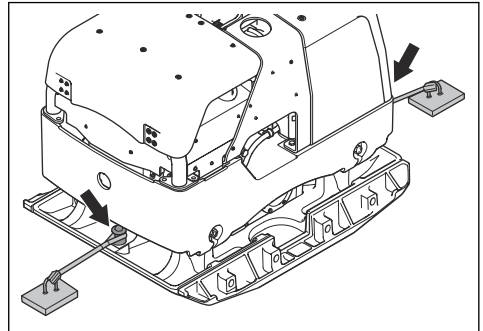
To safety the product to a transportation vehicle with tie-down straps (LH 700)

1. Lock the handle (A) in upright position.
2. Put 2 straps (B) around the bottom plate.
 - a) Put 1 strap around the front of the bottom plate and attach the strap to the vehicle.
 - b) Put 1 strap around the rear of the bottom plate and attach the strap to the vehicle.



To safety the product to a transportation vehicle with tie-down straps (LH 804)

1. Put the remote control in the transport position below the rear cover.
2. Safety the product with 2 straps.



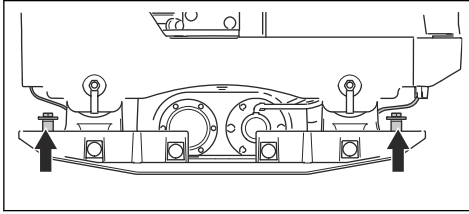
- a) Put 1 strap at the front tow point and attach the strap to the vehicle.
- b) Put 1 strap at the rear tow point and attach the strap to the vehicle.

To tow the product (LH 804)



CAUTION: Only tow the product to make it come loose if it is caught in loose soil during operation. Do not tow the product long distances.

1. Attach the tow device to the 2 tow points at the front and the rear of the product.



2. Tow the product longitudinally. Maximum permitted force is 15 kN horizontally in the longitudinal axis of the product.

Storage

- Remove all fuel from the fuel tank before you put the product in storage for a long period of time. Discard the fuel at an applicable disposal location.
- Fully charge the product battery before storage. An empty battery freezes at approximately $-7^{\circ}\text{C}/19^{\circ}\text{F}$. A fully charged battery freezes at approximately $-67^{\circ}\text{C}/-89^{\circ}\text{F}$.
- Remove the battery from the remote control before long-term storage (LH 804).
- Clean the product before storage. Remove oil and dust from the rubber parts.
- Clean the air filter before storage.
- Put a protective cover on the product.
- Keep the product in a dry and frost-free area.
- Keep the product in a locked area to prevent access for children or persons that are not approved.

Disposal

- Chemicals can be dangerous and must not be discarded on the ground. Always discard used chemicals at a service center or an applicable disposal location.
- When the product is worn out, send it to the dealer or to an applicable recycling location.
- Oil, oil filters, fuel and the battery can have negative effects on the environment. Obey the local recycling requirements and applicable regulations.
- Do not discard the battery as domestic waste.
- Send the battery to a Husqvarna service agent or discard it at a disposal location for used batteries.

Technical data

Technical data

	LH 700	LH 804
Operation weight (EN500, incl. oil, ½ fuel), kg/lb	779/1717	820/1808
Engine brand, type	Hatz, 1 D90V	Hatz, 1 D90V
Engine power, kW/hp @rpm ¹	11.5/15.4 @3000	11.5/15.4 @3000
Vibration frequency, Hz/rpm	56/3000	56/3000
Amplitude, mm/in.	2.5/0.098	2.5/0.098
Centrifugal force, kN/lbf	95/21375	95/21375
Operation speed, m/min or ft./min	30 or 98.4	30 or 98.4
Max. tilt, degrees/%	20/35	20/35
Fuel tank capacity, l/qts	7.0/7.40	7.0/7.40
Engine oil capacity *, l/qts	1.9/2.0	1.9/2.0
Hydraulic oil tank capacity, l/qts	27.0/7.1	27.0/7.1
Eccentric element, l/qts	1.0/1.1	1.0/1.1
Engine oil *	Shell Rimula R4 L 15W-40	Shell Rimula R4 L 15W-40
Eccentric element oil	Shell Rimula R4 L 15W-40	Shell Rimula R4 L 15W-40
Hydraulic oil	Shell Tellus S3 V68	Shell Tellus S3 V68
Biological hydraulic oil (optional)	Shell Naturelle HF-E46	Shell Naturelle HF-E46
Fuel *	Ultra-low-sulfur diesel fuel only	Ultra-low-sulfur diesel fuel only
Fuel consumption, l/h or qts/h	2.3 or 2.4	2.3 or 2.4
Battery voltage, V/Ah	12/44	12/48

* = For further information and questions about this specific engine, refer to the engine manual or the web site of the engine manufacturer.

Noise and vibration emissions	LH 700	LH 804
Sound power level, measured dB (A)	108	106

¹ As specified by the engine manufacturer. The power rating of the engine indicated is the average net output (at specified rpm) of a typical production engine for the engine model measured to SAE standard J1349/ISO1585. Mass production engines may differ from this value. Actual power output for the engine installed on the final product will depend on the operating speed, environmental conditions and other values.

Noise and vibration emissions	LH 700	LH 804
Sound power level, guaranteed L_{WA} dB (A) ²	109	109
Sound pressure level at the operator's ear, L_p , dB (A) ³	98	90
Vibration level, a_{hv} , m/s^{24}	3.3	N/A (remote control)

Weights for options	
Extensions 2 units per machine, 2 x 75 mm/6 in. kg/lb	14.6/32
Extensions 2 units per machine, 2 x 150 mm/12 in. kg/lb	24.6/54

Technical data for radio equipment (LH 804)

Remote control	
Operating voltage	Battery NiMh 1500 mAh. The transmitter can be operated without battery via cable control.
Operating time	Up to 15 hours with a new battery.
Data display	Graphical, resolution 128 x 32.
Protection class	IP 65
Operating temperature, °C/°F	Between -25/-13 and +70/+158.
Storage temperature, °C/°F	Between -40/-40 and +85/+185.
Battery	2 x NiMh batteries supplied with the machine.
Receiver	
Operating voltage, V DC	Between 10 and 32.
General consumption	100 mA, without external charging at 12 V DC.
Processor	CPU design 2 robust safety switches (max 2 A). Designed to fulfil EN 13849-1 PL e (EN954-1, Cat 4).
Indication, receiver	Triple-colour LED, Red/Green/Yellow.
Indication, CAN status	Twin-colour LED, Red/Green.
Protection class	IP 66
Operating temperature, °C/°F	Between -25/-13 and +70/+158.
Storage temperature, °C/°F	Between -40/-40 and +85/+185.

² Noise emissions in the environment measured as sound power (L_{WA}) as per EN ISO 3744 in conformity with EC directive 2000/14/EC. The difference between guaranteed and measured sound power is that the guaranteed sound power also includes dispersion in the measurement result and the variations between different machines of the same model according to Directive 2000/14/EC.

³ Sound pressure level L_p according to EN ISO 11201, EN 500-4. Uncertainty K_{PA} 3.0 dB (A).

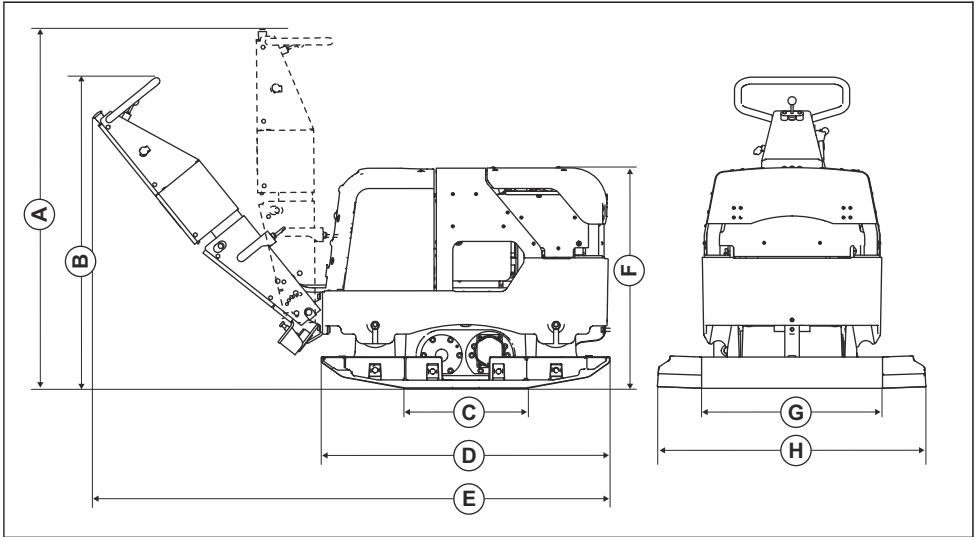
⁴ Vibration value according to EN 500-4. Reported data for vibration level has a typical statistical dispersion (standard deviation) of 1.5 m/s^2 .

Radio frequency data for Bluetooth®	
Frequency band, GHz	2.4-2.4835
Output power, max. dBm	4

Noise and vibration declaration statement

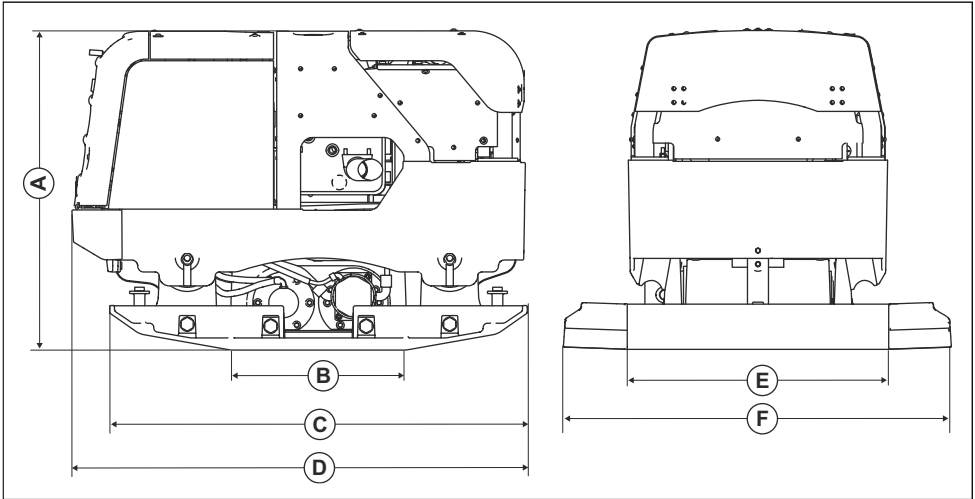
These declared values were obtained by laboratory type testing in accordance with the stated directive or standards and are suitable for comparison with the declared values of other products tested in accordance with the same directive or standards. These declared values are not suitable for use in risk assessments and values measured in individual work places may be higher. The actual exposure values and risk of harm experienced by an individual user are unique and depend upon the way the user works, in what material the product is used, as well as upon the exposure time and the physical condition of the user, and the condition of the product.

Product dimensions (LH 700)



A	Handle height, transport position, mm/in.	1320/51	E	Length including handle, mm/in.	1880/74
B	Handle height, operation position, mm/in.	1170/46	F	Height, mm/in.	795/31
C	Bottom plate contact area, m ² /sq. ft.	0.290/3.12	G	Width, mm/in.	660/26
	Bottom plate contact area including extensions 2x75 mm or 2x150 mm, m ² /sq. ft.	0.646/36.95 or 0.712/7.66	H	Width including extensions 2x75 mm or 2x150 mm, mm/in.	810/32 or 960/38
D	Length bottom plate, mm/in.	1050/41			

Product dimensions (LH 804)



A	Height, mm/in.	795/31	D	Length, mm/in.	1150/45
B	Bottom plate contact area, m ² /sq. ft.	0.290/3.12	E	Width, mm/in.	660/26
	Bottom plate contact area including extensions 2x750 mm or 2x150 mm, m ² /sq. ft.	0.646/36.95 or 0.712/7.66	F	Width including extensions 2x75 mm or 2x150 mm, mm/in.	710/32 or 960/38
C	Length bottom plate, mm/in.	1050/41			

Registered trademarks

The *Bluetooth*[®] word mark and logos are registered trademarks owned by *Bluetooth SIG, inc.* and any use of such marks by Husqvarna is under license.

LOCTITE is a registered trademark owned by Henkel Corporation. N243 is a trademark of Henkel Corporation.

EC Declaration of Conformity

EC Declaration of Conformity

We, **Husqvarna AB**, SE-561 82 Huskvarna, Sweden, tel: +46-36-146500, declare on our sole responsibility that the product:

Description	Reversible Plate Compaction Machine
Brand	Husqvarna
Type/Model	LH 700
Identification	Serial numbers dating from 2020 and onwards

complies fully with the following EU directives and regulations:

Directive/Regulation	Description
2014/30/EU	"relating to electromagnetic compatibility"
2006/42/EC	"relating to machinery"
2000/14/EC	"relating to outdoor noise"

and that the following harmonized standards and/or technical specifications are applied;

EN 500-1+A1:2009

EN 500-4:2011

Notified body: 0038, Lloyd's Register Verification Limited, 71 Fenchurch Street, London, EC3M 4BS, UK, has certified conformity with the Council's Directive 2000/14/EC, conformity assessment procedure: Annex VIII.

For information relating to noise emissions, refer to the chapter *Technical data on page 26*.

Partille, 2020-02-20



Martin Huber

R&D Director, Concrete Surfaces & Floors

Husqvarna AB, Construction Division

Responsible for technical documentation

EC Declaration of Conformity

We, **Husqvarna AB**, SE-561 82 Huskvarna, Sweden, tel: +46-36-146500, declare on our sole responsibility that the product:

Description	Reversible Plate Compaction Machine
Brand	Husqvarna
Type/Model	LH 804
Identification	Serial numbers dating from 2020 and onwards

complies fully with the following EU directives and regulations:

Directive/Regulation	Description
2014/53/EU	"relating to radio equipment"
2006/42/EC	"relating to machinery"
2000/14/EC	"relating to outdoor noise"

and that the following harmonized standards and/or technical specifications are applied;

EN 500-1+A1:2009

EN 500-4:2011

EN ISO 13766-1:2018

ETSI EN 301 489-1 V2.1.1

ETSI EN 301 489-3 V2.1.1

Notified body: 0038, Lloyd's Register Verification Limited, 71 Fenchurch Street, London, EC3M 4BS, UK, has certified conformity with the Council's Directive 2000/14/EC, conformity assessment procedure: Annex VIII.

For information relating to noise emissions, refer to the chapter *Technical data on page 26*.

Partille, 2020-02-20



Martin Huber

R&D Director, Concrete Surfaces & Floors

Husqvarna AB, Construction Division

Responsible for technical documentation



www.husqvarnacp.com

Original instructions

1140393-26



2020-04-09